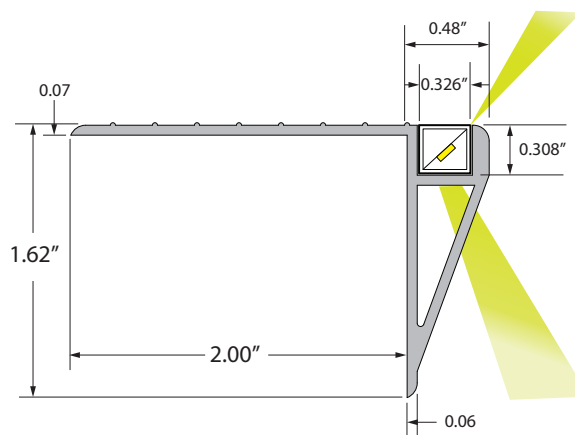




Project: \_\_\_\_\_ Type: \_\_\_\_\_

- Low-profile Natural or Black anodized aluminum base designed for 90° step angles.
- Tivotape™ are mounted at 45° in a weatherproof, fire-retardant, polycarbonate light tube suitable for outdoor wet applications.
- Shipped from factory pre-cut and pre-assembled in 3', 3½' and 4' lengths with 4' Lead Wire (specify side).
- Also available pre-assembled in custom lengths up to 12 feet (consult factory).

Dimensions





Order Guide

PRODUCT CODE	LED COLOR	LED SPACING	POWER FEED	FINISH	*LENGTH
<b>PBS</b> PBS = Premium Bare Step	<b>27</b> = 2700K <b>30</b> = 3000K <b>40</b> = 4000K <b>62</b> = 6200K <b>AM</b> = Amber <b>RD</b> = Red <b>BL</b> = Blue	<b>C</b> C = Continuous	<b>L</b> = Left <b>R</b> = Right <b>B</b> = Both	<b>BK</b> = Black Anodized <b>NA</b> = Natural Aluminum	<b>2.0</b> = 2' <b>2.5</b> = 2.5' <b>3.0</b> = 3' <b>3.5</b> = 3.5' <b>4.0</b> = 4' <b>4.5</b> = 4.5' <b>5.0</b> = 5' <b>5.5</b> = 5.5' <b>6.0</b> = 6' <b>6.5</b> = 6.5' <b>7.0</b> = 7' <b>7.5</b> = 7.5' <b>8.0</b> = 8' <b>8.5</b> = 8.5' <b>9.0</b> = 9' <b>9.5</b> = 9.5' <b>10.0</b> = 10' <b>10.5</b> = 10.5' <b>11.0</b> = 11' <b>11.5</b> = 11.5' <b>12.0</b> = 12'

\*Bare Step is manufactured to specified lengths to within 1/8"

Specification

Electrical (based on 2700K)	
Operating Voltage	12V DC
Lumens/ft	26.5
Watts/ft	1.46
Lumen/watt	20
Dimming	0-10V, MLV, ELV, DMX
CRI	>70/TYP72
Kelvin Temp	2700K (+/- 100K), 3000K (+/- 100K), 4000K(+/- 250K), 6200K(+/- 250K), Red, Blue, Amber
Physical	
Order Increments	6"
Maximum Ordering Length	12'
Certification and Testing	
Certification	cETLus, ADA, NFPA
Power Supply	Class 2
Rated Life	50,000 hrs.
Environment	IP 65
Warranty	5 years

Power Supplies

**ADNM - NON DIMMING**

DESCRIPTION	CAT NO	APPLICATION	PRIMARY VOLTAGE	SECONDARY VOLTAGE	CIRCUIT BREAKERS	MAX LOAD	CIRCUIT CAPACITY
ADNM Series Class 2 Transformer	ADNM-60-1-5-12-D	Indoor / Outdoor	100-277V AC 50/60 HZ	12V DC	1	60W	5A
	ADNM-80-1-5-12-D				1	60W	5A
	ADNM-150-2-5-12-D				2	2x60W	2x5A
	ADNM-240-3-5-12-D				3	3x60W	3x5A
	ADNM-320-4-5-12-D				4	4x60W	4x5A

**ADNM - 0-10V DIMMING**

DESCRIPTION	CAT NO	APPLICATION	PRIMARY VOLTAGE	SECONDARY VOLTAGE	CIRCUIT BREAKERS	MAX LOAD	CIRCUIT CAPACITY
ADNM Series Class 2 Transformer	ADNM-60-1-5-12-DOT	Indoor / Outdoor	100-277V AC 50/60 HZ	12V DC	1	60W	5A
	ADNM-80-1-5-12-DOT				1	60W	5A
	ADNM-150-2-5-12-DOT				2	2x60W	2x5A
	ADNM-240-3-5-12-DOT				3	3x60W	3x5A
	ADNM-320-4-5-12-DOT				4	4x60W	4x5A

**ADNM - DMX SINGLE ADDRESS**

DESCRIPTION	CAT NO	APPLICATION	PRIMARY VOLTAGE	SECONDARY VOLTAGE	CIRCUIT BREAKERS	MAX LOAD	CIRCUIT CAPACITY
ADNM Series Class 2 Transformer	ADNM-60-1-5-12-DIN	Indoor / Outdoor	100-277V AC 50/60 HZ	12V DC	1	60W	5A
	ADNM-80-1-5-12-DIN				1	60W	5A
	ADNM-150-2-5-12-DIN				2	2x60W	2x5A
	ADNM-240-3-5-12-DIN				3	3x60W	3x5A
	ADNM-320-4-5-12-DIN				4	4x60W	4x5A

**ADNM - DMX MULTI ADDRESS**

DESCRIPTION	CAT NO	APPLICATION	PRIMARY VOLTAGE	SECONDARY VOLTAGE	CIRCUIT BREAKERS	MAX LOAD	CIRCUIT CAPACITY
ADNM Series Class 2 Transformer	ADNM-150-2-5-12-DIN-2	Indoor / Damp	100-277V AC 50/60 Hz	12V DC	2	2x60W	5A
	ADNM-240-3-5-12-din-3				3	3x60W	3x5A

**INFINITY - MLV / ELV / 0-10V / PWN / TRIAC**

DESCRIPTION	CAT NO	APPLICATION	PRIMARY VOLTAGE	SECONDARY VOLTAGE	CIRCUIT BREAKERS	MAX LOAD	MIN LOAD	CIRCUIT CAPACITY
Infinity Series Class 2 Transformer	INF-J-30-1-2-5-12	Indoor / Outdoor	100 - 277V AC	12V DC	1	30W	3W	2.5A
	INF-J-60-1-5-12				1	60W	6W	5A
	INF-J-180-3-5-12				3	3x60W	3x6W	3x5A
	INF-J-300-5-5-12				5	5x60W	5x6W	5x5A

Dimmers

**DIMMING - 0-10V**

DESCRIPTION	CAT NO	APPLICATION	INPUT VOLTAGE	OUTPUT VOLTAGE	MAX LOAD
0-10V Dimmer	DIM-LD-010	Indoor	12V/24V DC	12V/24V DC	30 mA max. output (sink only)

**DIMMING - MLV**

DESCRIPTION	CAT NO	APPLICATION	INPUT VOLTAGE	OUTPUT VOLTAGE	MAX LOAD
MLV Dimmer	N-600	Indoor	120V AC	120V AC	450W
	N-1000				800W
	N-1500				1200W
	D-600				450W
	M-600				450W
	M-1000				800W

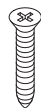
**DIMMING - ELV**

DESCRIPTION	CAT NO	APPLICATION	INPUT VOLTAGE	OUTPUT VOLTAGE	MAX LOAD
ELV Dimmer	ME-600	Indoor	120V AC	120V AC	450W
	DE-300				300W

Mounting Accessories & Replacement Part



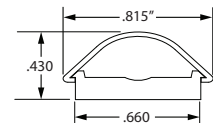
**ADH-MB-75AM-XX**  
**XX = 10** (10.1 oz tubes, **30** per case.), **29** (29 oz tubes **12** per case)



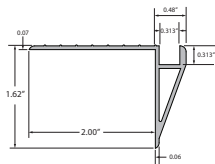
**TM-3/16**  
 Concrete Screw 3/16" x 1 3/4"



**RONDB-5/32**  
 Concrete Drill Bit 5/32"

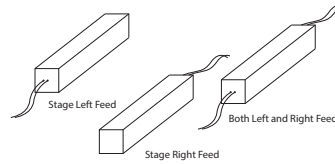


**BS-CC-8**  
 Wall Wireway, 8' black base & conduit cover



**PBS-AL-BSE-XX**  
**XX= NA** (Natural Aluminium), **BK** (Black)  
 Replacement Premium Base

\*Due to custom cut windows, exact step length is required at the time of ordering with desired existing on center spacing.



**PBS-XX-XX-XXX**  
**XX=LF**(Left), **RF**(Right), **BF**(Both)  
**XX= 27, 30, 40, 62, AM, RD, BL**  
**XXX=3.0(3'), 3.5(3.5'), 4.0(4')**  
 Replacement Strand, clear tube

**PBS-EC-PF-XX-X**  
 End Cap with power feed  
**XX= NA** (Natural Aluminium), **BK** (Black)  
**X = R** (right), **L** (left)

**PBS-EC-XX-X**  
 End Cap  
**XX= NA** (Natural Aluminium), **BK** (Black)  
**X = R** (right), **L** (left)